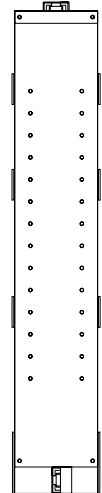
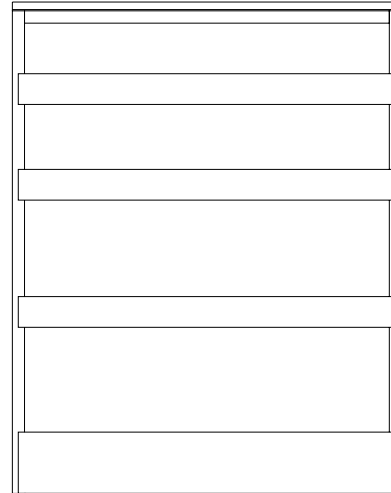
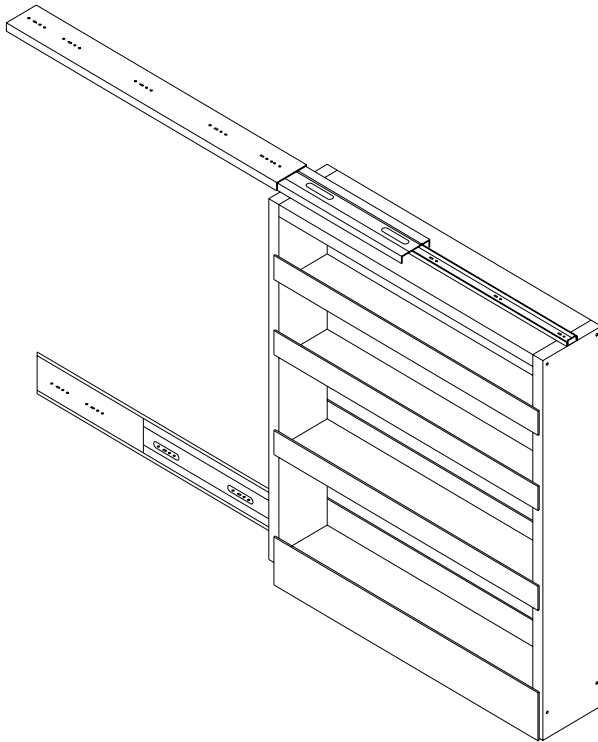


# Filler Pullout



Part #	Description	Units/Carton	Weight/Carton
HDS325	3" Base Filler Pullout 22 11/16" X 2 1/8" X 27 9/16"	1	10 lbs.
HDS326	3" Wall Filler Pullout 10 11/16" X 2 1/8" X 27 9/16"	1	6 lbs.
HDS327	6" Base Filler Pullout 22 11/16" X 5 1/8" X 27 9/16"	1	18 lbs.
HDS328	6" Wall Filler Pullout 10 11/16" X 5 1/8" X 27 9/16"	1	11 lbs.

## Application Features

- \* Fits into a 3" or 6" opening.
- \* Provides easy to reach storage in otherwise narrow opening.
- \* Ideal to place and store spices and other small cans, bottles, etc.
- \* Designed for easy installation on to wall or base fillers.

## Product Features

- \* Made of Birch solids and veneers.
- \* Durable, high quality lacquer finish.
- \* Adjustable shelves.
- \* Full extension, 75 lb. capacity guide system.
- \* Comes complete with mounting hardware.
- \* Installs by simply attaching to wall or base filler.

BLENDING TECHNOLOGY AND TRADITION

**Hoffco, Inc.**

QUALITY WOOD MANUFACTURING