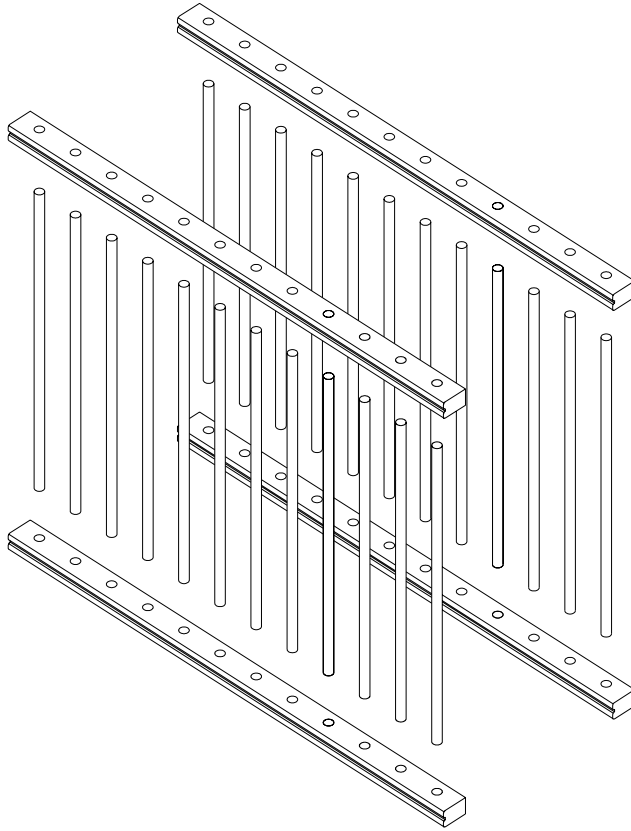


Plate Ladder



Part #	Description	Units/Carton	Weight/Carton
HDS134	Plate Ladder Kit (CH)	2	1 lb.
HDS135	Plate Ladder Kit (HM)	2	1 lb.
HDS136	Plate Ladder Kit (RO)	2	1 lb.

Application Features

- * This unfinished wood plate ladder is designed to easily be trimmed to work in a custom application.
- * Dowels are easily removed for cleaning.
- * Designed for easy installation.

Product Features

- * Available in Hard Maple, Cherry, & Red Oak.
- * 34-3/8" long rails.
- * 12-3/8" long dowels.
- * Unfinished
- * Unassembled
- * Predrilled

BLENDING TECHNOLOGY AND TRADITION

Hoffco, Inc.

QUALITY WOOD MANUFACTURING