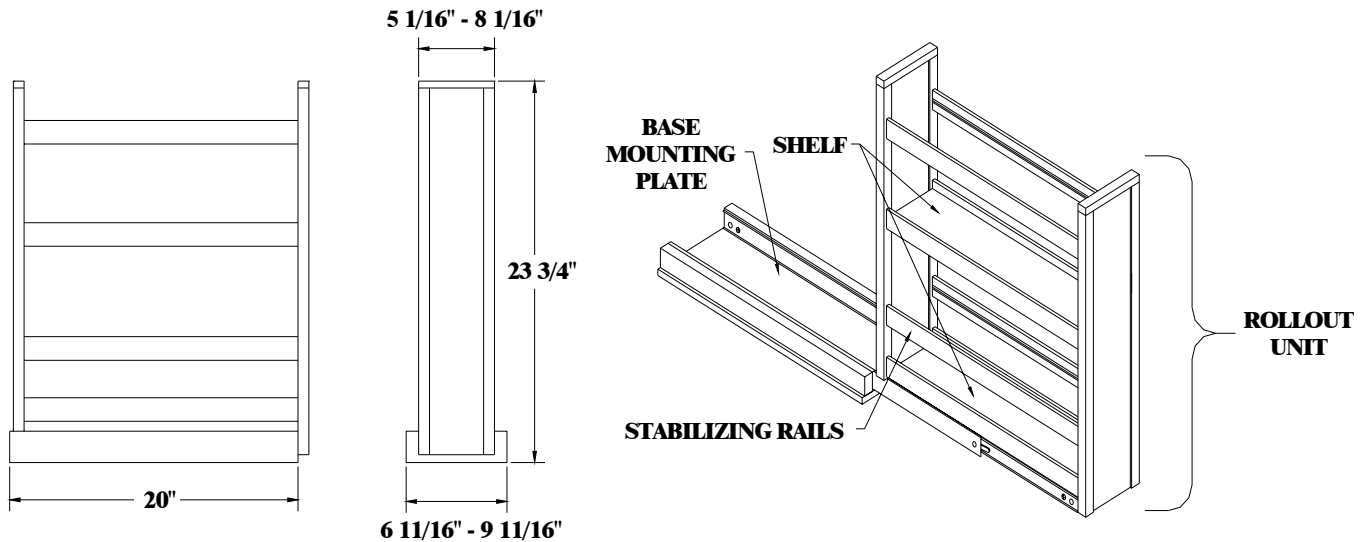


Mini Pantry



Part #	Description	Units/Carton	Weight/Carton
HDS127	Mini Pantry 9" Cabinet	1	14 lbs.
HDS128	Mini Pantry 12" Cabinet	1	17 lbs.

Application Features

- * Fits into a 9" and 12" wide base cabinet.
- * Provides easy to reach storage in otherwise narrow cabinet opening.
- * Ideal to place and store 2-liter soda bottles.
- * Designed for easy installation.

Product Features

- * Made of Birch solids and veneers.
- * Durable, high quality lacquer finish.
- * Full extension, 75 lb. capacity guide system.
- * Comes complete with mounting hardware.
- * Installs by simply attaching base mounting plate to cabinet bottom.

BLENDING TECHNOLOGY AND TRADITION

Hoffco, Inc.

QUALITY WOOD MANUFACTURING