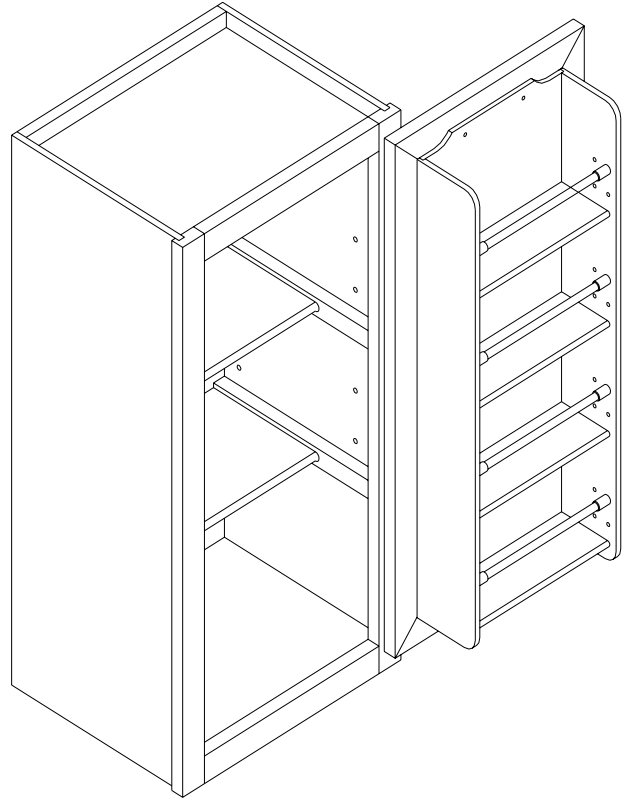
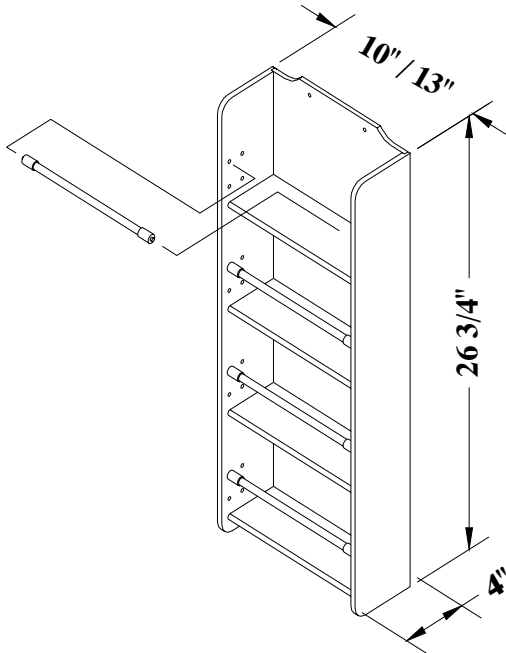


Door Mounted Spice Rack



Part #	Description	Units/Carton	Weight/Carton
HDS123	4"X10"X26 3/4" DMSRK	1	5 lbs.
HDS124	4"X13"X26 3/4" DMSRK	1	6 lbs.

Application Features

- * Sizes to fit 15" and 18" wide wall cabinets (30" high).
- * Mounts to back of cabinet door.
- * Utilizes standard shelf clip holes for easy installation.
- * Lightweight - eliminates concern of door sagging when loaded.

Product Features

- * Soft Maple solid wood with a veneer back.
- * Individually packaged for easy reshipment.
- * Durable, high quality lacquer finish.
- * Adjustable spring loaded dowels.
- * Comes complete with four shelf adapters to allow easy modification to 5/8" thick standard depth shelf.
- * Installation instructions and mounting screws included.

BLENDING TECHNOLOGY AND TRADITION

Hoffco, Inc.

QUALITY WOOD MANUFACTURING