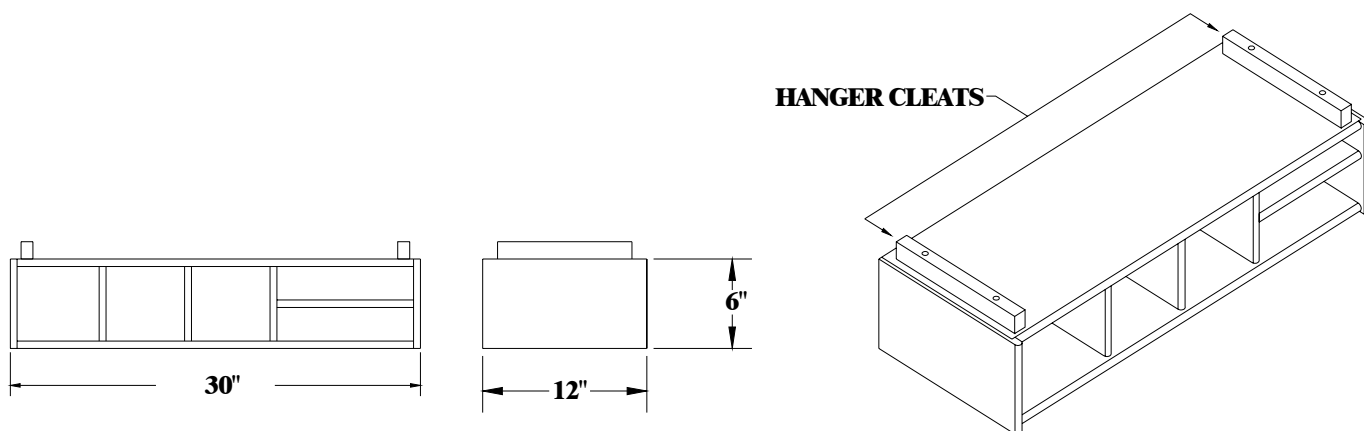


# Organizer



Part #	Description	Units/Carton	Weight/Carton
HDS103	30" Organizer (RO)	1	17 lbs.
HDS105	30" Organizer (HM)	1	17 lbs.
HDS106	30" Organizer (CH)	1	17 lbs.
HDS122	30" Organizer (HK)	1	17 lbs.

## Application Features

- \* Convenient to store and organize envelopes, paper, pencils, phone books, and other essentials.
- \* Ideal for use above a desk area or near a telephone.
- \* Designed to be mounted under or between wall cabinets.

## Product Features

- \* Constructed of solid wood and veneers.
- \* Available in Red Oak, Hard Maple, Cherry, and Hickory.
- \* Comes machine sanded.
- \* Hanger cleats fit up against cabinet bottom, in between cabinet ends, and behind cabinet front frame.
- \* Vertical partitions and horizontal shelves to accommodate various storage needs.
- \* Shipped individually packaged.
- \* Front edges bull nosed for softer look and user friendliness.

BLENDING TECHNOLOGY AND TRADITION

**Hoffco, Inc.**

QUALITY WOOD MANUFACTURING