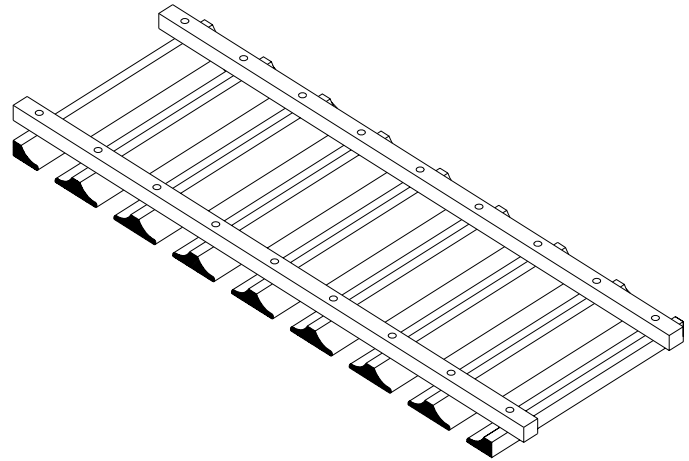
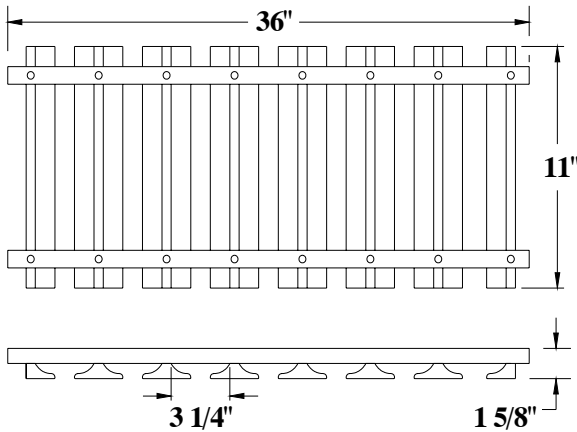


# Stem Glass Holder



Part #	Description	Units/Carton	Weight/Carton
HDS096	36" Stem Glass Holder (CH)	1	6 lbs.
HDS097	36" Stem Glass Holder (HM)	1	6 lbs.
HDS098	36" Stem Glass Holder (RO)	1	6 lbs.

## Application Features

- \* Provides an easy accessible place to store and display stemware.
- \* Accommodates most sizes and styles of stemware.
- \* Ideal for use in wet bars and hutch cabinets.
- \* Designed for easy installation under most cabinets.

## Product Features

- \* Available in solid Red Oak, Hard Maple & Cherry.
- \* Individually packaged.
- \* Fully sanded and ready for finishing.
- \* Screwed together to allow for easy modification for use with smaller cabinets.
- \* Comes predrilled for various installation methods.

BLENDING TECHNOLOGY AND TRADITION

**Hoffco, Inc.**

QUALITY WOOD MANUFACTURING