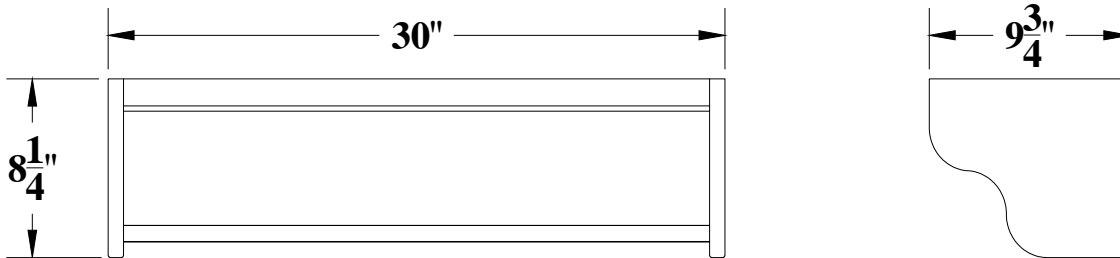
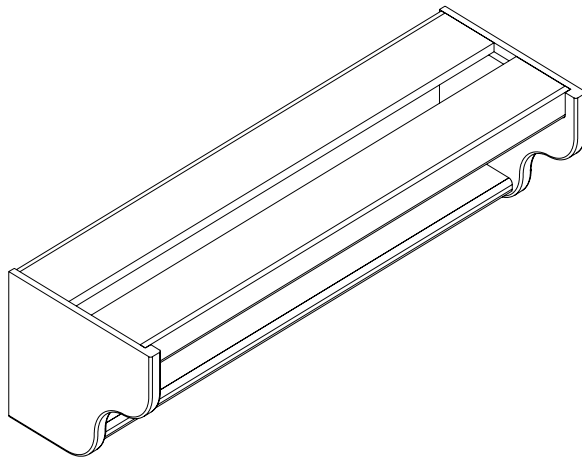


Condiment Shelf Kit



Part #	Description	Units/Carton	Weight/Carton
HDS066	30" Condiment Shelf (HM)	1	8 lbs.
HDS067	30" Condiment Shelf (RO)	1	8 lbs.
HDS125	30" Condiment Shelf (CH)	1	8 lbs.
HDS126	30" Condiment Shelf (HK)	1	8 lbs.

Application Features

- * Designed to be mounted under wall cabinets.
- * Converts otherwise useless space into attractive functional storage space.
- * Ideal for displaying cups, saucers, spices, and other whatnots.
- * Designed for easy assembly and installation.

Product Features

- * Available in Red Oak, Hard Maple, Cherry, & Hickory.
- * All parts are machine sanded and ready for finishing.
- * Unit consists of (2) end panels, (1) shelf, (1) back, (2) hanger rails.
- * Shipped unassembled (KD), individually packaged.

BLENDING TECHNOLOGY AND TRADITION

Hoffco, Inc.

QUALITY WOOD MANUFACTURING