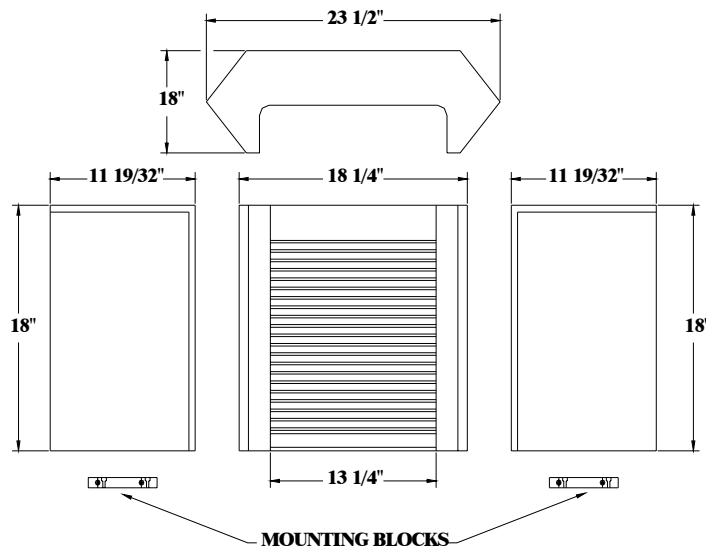
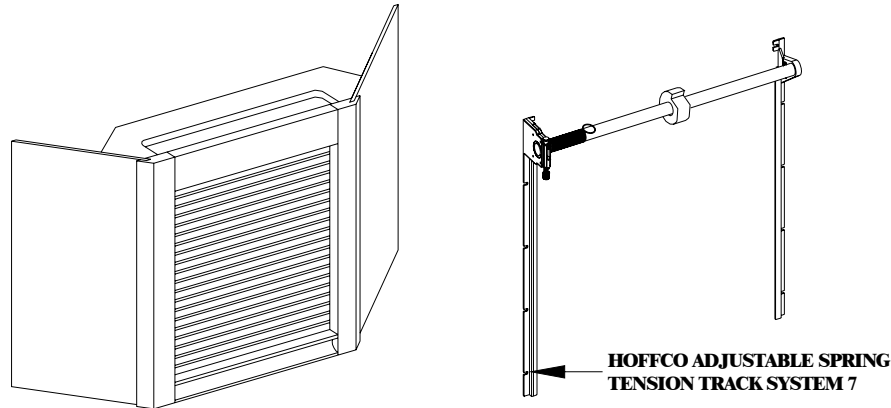


# Corner Appliance Garages



Part #	Description	Units/Carton	Weight/Carton
HDS060	24" Appliance Garage (HM)	1	15 lbs.
HDS061	24" Appliance Garage (RO)	1	15 lbs.
HDS120	24" Appliance Garage (CH)	1	15 lbs.

## Application Features

- \* Fits under diagonal corner wall cabinets.
- \* Provides hidden storage for counter top appliances.
- \* Can be trimmed to fit most applications.
- \* Designed for easy installation.

## Product Features

- \* Available in Red Oak, Cherry, & Hard Maple.
- \* All parts are machine sanded, ready for finishing.
- \* Includes assembled face frame with Hoffco adjustable spring tension track system 7 & tambour door, (2) 1/2" veneer end panels, (1) top brace, & (2) mounting blocks.
- \* Individually packaged.
- \* Requires assembly.

BLENDING TECHNOLOGY AND TRADITION

# Hoffco, Inc.

QUALITY WOOD MANUFACTURING